



INTEGRATED SYSTEM TO DETECT ELEVATED SKIN TEMPERATURE

FLIR A700-EST™ IS

The FLIR A700-EST™ IS is a non-contact screening tool designed to detect elevated skin temperatures that can be a first line of defense against potential health risks.

The fully integrated, scalable solution includes the revolutionary FLIR A700 Thermal Camera paired with a high definition, user-friendly interface. Easy to deploy, the FLIR A700-EST IS detects and visualizes heat to quickly identify individuals with an elevated skin temperature.

Force readiness relies on the health and safety of the unit. Contagions such as COVID-19, SARS, and other viruses can manifest themselves in the form of elevated skin temperature—a possible sign of infection. While FLIR cameras are not capable of detecting or diagnosing viruses, the US FDA registered systems represent a simple, first measure to mitigate further contagion and possible rebound, providing confidence to return to normalcy and maintain unit readiness.

FEATURES

RAPID SCREENING CAPABILITY

Screens individuals in just seconds or, when used with multiple cameras in high traffic spaces, spots anomalies in skin temperatures to quickly identify individuals who may need further screening.

INTUITIVE USER INTERFACE

The screening function offers a simplified monitor view with large colored indicators that facilitate rapid decision-making. With just a few steps in the initial setup, users can quickly start the screening process. Privacy is ensured through an avatar display.

INDUSTRY LEADING SENSITIVITY

The A700-EST IS offers a high measurement accuracy with minimal temperature drift over time: just $\pm 0.3^{\circ}\text{C}$ ($\pm 0.5^{\circ}\text{F}$).

510K REGISTRATION

FLIR EST cameras meet the ISO/IEC/FDA recommendations, and FLIR maintains system registration with the FDA.

DEPLOYED IN MINUTES

Simple to set up with only two cables and PoE to operate the camera and touchscreen display. Once system is fully powered on initial set up, calibration takes approx. 10 minutes to complete before ready for use.

APPLICATIONS

EFFICIENT WORKFORCE SCREENING

ARMED FORCES INSTALLATIONS

CONTRACTOR ACCESS SCREENING

SCREENING VISITORS

TRAINING AND FORCE READINESS

SPECIFICATIONS

Thermal Imager	A700 Thermal Camera
IR Resolution	640 × 480
Thermal Sensitivity	<30 mK to <50 mK, lens dependent
Lenses	14°, 24°, and 42°
IR Camera Focus	One-shot contrast, motorized, manual
Measurement	
Object Temperatures	-20°C to 2000°C (-4°F to 3632°F), 3 ranges
EST Accuracy (drift)	±0.3°C (±0.5°F)
Full Range Accuracy	±2°C (±4°F) or ±2% of reading
Single-Head Remote Integrated EST Screening (A700-EST IS, P/N 29588-200)	
Sensor Head	Single A700 Thermal Camera
Smart Display	12" Smart Display with options for touchscreen VESA or desktop mounted with software embedded
Multi-Head Remote Integrated EST Screening (A700-EST IS-6, P/N 29588-201)	
Sensor Head	Multiple A700 Thermal Cameras
Server Rack	4U Server Rack, GPU, i9, up to 6 heads with embedded software
Smart Display	Customer stated display sizes available. VESA or desktop mounted
FLIR Software	
UI	Touchscreen-capable
Modes	Avatar (privacy) Enhanced Avatar (adjustability and color) Color-coded elevated skin temp indicator (green, yellow) Audio alarm Sample size requirement notification Key coded admin screen
Power Requirements	
Voltage	120 or 220 VAC power
Cables	Power over Ethernet (included power supply)
Battery	Option for battery backup or battery power for remote locations

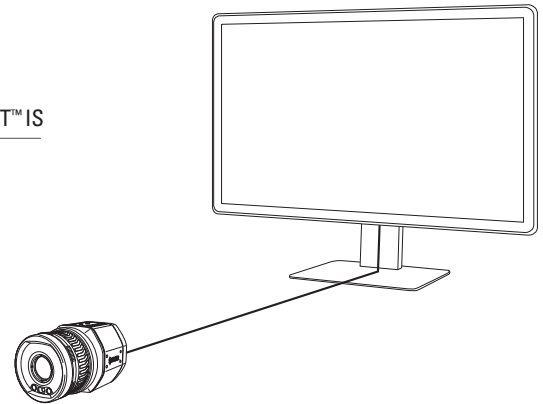
DISCLAIMER:

FLIR devices are intended for use as an adjunct to clinical procedures in the screening of skin surface temperature. Various environmental and methodological factors can impact thermal imaging; therefore, it should not be relied upon as the sole determinant of a person's body temperature. Use of a medical device will be needed to identify elevated body temperature.

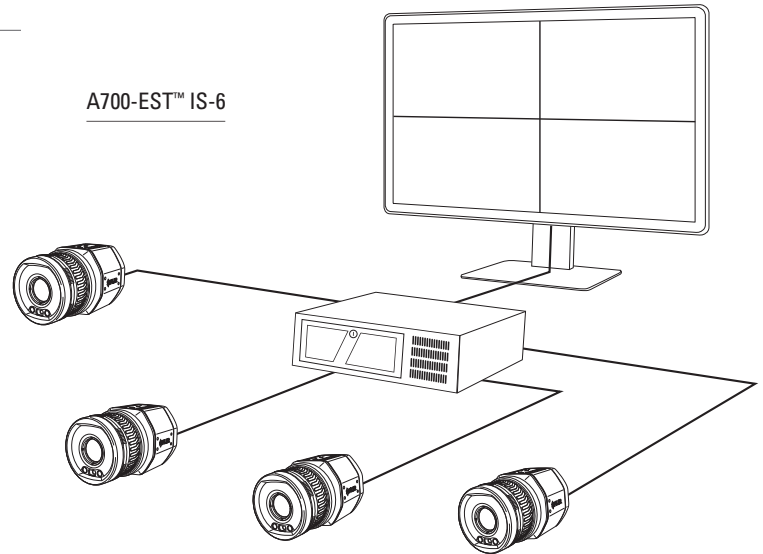


Versatile enough to handle Multiple EST screening stations

A700-EST™ IS



A700-EST™ IS-6



AMERICAS

FLIR Systems, Inc.
Corporate Headquarters
27700 SW Parkway Ave
Wilsonville, OR 97070
Office: +1 877.773.3547

FLIR Systems, Inc.
DC Headquarters
1201 S. Joyce Street
Suite C006
Arlington, VA 22202
Office: +1 703.682.3400

EUROPE

FLIR Systems
2 Kings Hill Avenue - Kings Hill
West Malling, Kent ME19 4AQ
United Kingdom
Office: +44 (0)1732 220 011
Fax: +44 (0)1732 843 707

FLIR Systems AB
Antennvägen 6,
PO Box 737
SE-187 66 Täby
Sweden
Office: +46 (0)8 753 25 00

MIDDLE EAST

FLIR Systems B.V. - Abu Dhabi
Wadi Al Fey St.
Building 60, Office # 302
New Ministries Exit / Khalifa Park Area
Abu Dhabi, U.A.E.
Office: +971 2 666 1561
e-Fax: +1 503 914 1591

FLIR Systems Saudi Arabia
Office 127, First Floor
Akaria Plaza Building, Olaya Street
Riyadh, 11481, Saudi Arabia
Office: +966 11 464 5323
Fax: +966 11 464 0438

ASIA

FLIR Systems Japan K.K.
Meguro Tokyu Bldg. 5F,
2-13-17
Kami-Osaki, Shinagawa-ku.
Tokyo, 141-0021, Japan
Office: +81-3-6721-6648

For more information contact
surveillance_sales@flir.com

www.flir.com
NASDAQ: FLIR

Equipment described herein is subject to US export regulations and may require a license prior to export. Diversion contrary to US law is prohibited. Imagery for illustration purposes only. Specifications are subject to change without notice. ©2020 FLIR Systems, Inc. All rights reserved.

20-1043_SUR_FLIRA700-EST IS
07/24/2020
US_LTR



The World's Sixth Sense®